

Industrial Underwater Zoom Camera

Industrial 30x Optical Zoom Underwater Camera

Product Features

- **Industrial-Grade Sony Imaging:** Ensures long-term reliability in harsh underwater environments.
- **30x Motorized Optical Zoom:** Delivers lossless 1080P HD clarity at any focal length.

Application Scenarios

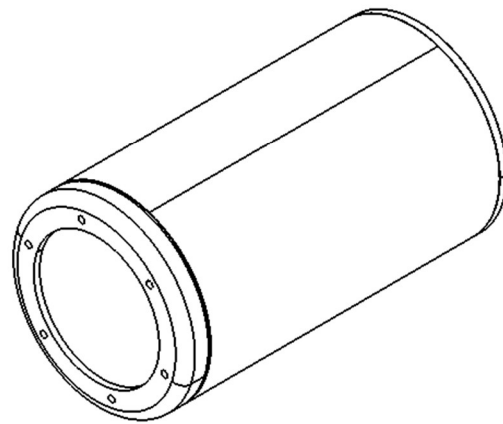
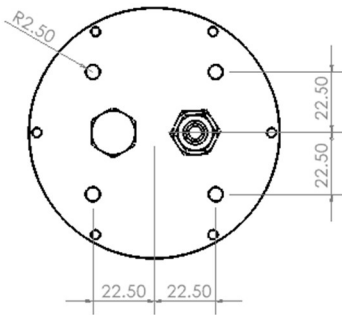
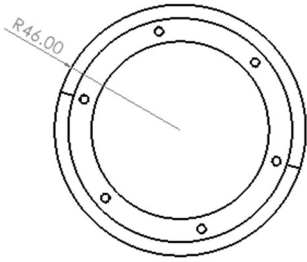
- Long-Range Detail Observation
- Large-Scale Subsea Operations



Basic Specs

Depth Rating	300m (1000m/2000m/3000m available upon request)
Weight in Air Water	0.82kg 0.11kg
Camera Model	Sony FCB-EV9520L
Image Sensor	1/2.8-type STARVIS 2 CMOS
Effective Pixels	Approx. 2.13 Megapixels
Output Image Size (H x V)	1920 × 1080, 1280 × 720
Max Video Output	1080p@60fps
S/N Ratio	More than 50 dB
Optical Zoom	30x Optical Zoom
Digital Zoom	12x (Up to 360x with optical zoom)
Focal Length	f = 4.3mm (wide) to 129.0mm (tele)
Aperture	F1.6 to F4.7
Angle of View (HFOV)	64.0° (wide) to 2.3° (tele)
Min. Object Distance	10mm (wide) to 1200mm (tele)
Gain	Auto / Manual, 0 dB to 50.0 dB, 28 steps
Shutter Speed	1/1s to 1/10,000s, 22 steps
Video Output	BNC (75Ω coaxial cable)
Control Interface	VISCA Protocol (CMOS 3.3V level)
Power Supply	7.0 V to 12.0 VDC
Power Consumption	Approx. 4.4 W (Static) / 5.4 W (Zoom/Focus)
Packing List	Zoom Underwater Camera *1, standard 2m seawater-resistant cable, customizable cable length up to 300m (consult customer service for details)

Main Dimensions



- Product specifications are subject to change without further notice. Please refer to our official website for latest information.

Wiring Instructions

Camera Pressure Housing

Main Control Housing



Camera Bulkhead Connector Wiring Diagram

Grey	GND
Grey/ White	+12VDC (LED Lighting Power)
Blue	GND
Blue/White	+12VDC (Camera Power)
Green	Rx-
Green/White	Rx+
Orange	Tx-
Orange/White	Tx+