

Underwater AI-M Camera

Smart Vision, Redefined: Beyond Video Streams.

Product Features

- **Metadata Intelligence:** Direct output of recognition metadata, minimizing data bandwidth.
- **Edge AI Inference:** On-device processing ensures zero load on the host CPU.
- **Structured Data Streaming:** Real-time output of Objects, Coordinates, and Event Triggers.
- **Ultra-Low Latency:** High-speed real-time processing for mission-critical tasks.

Application Scenarios

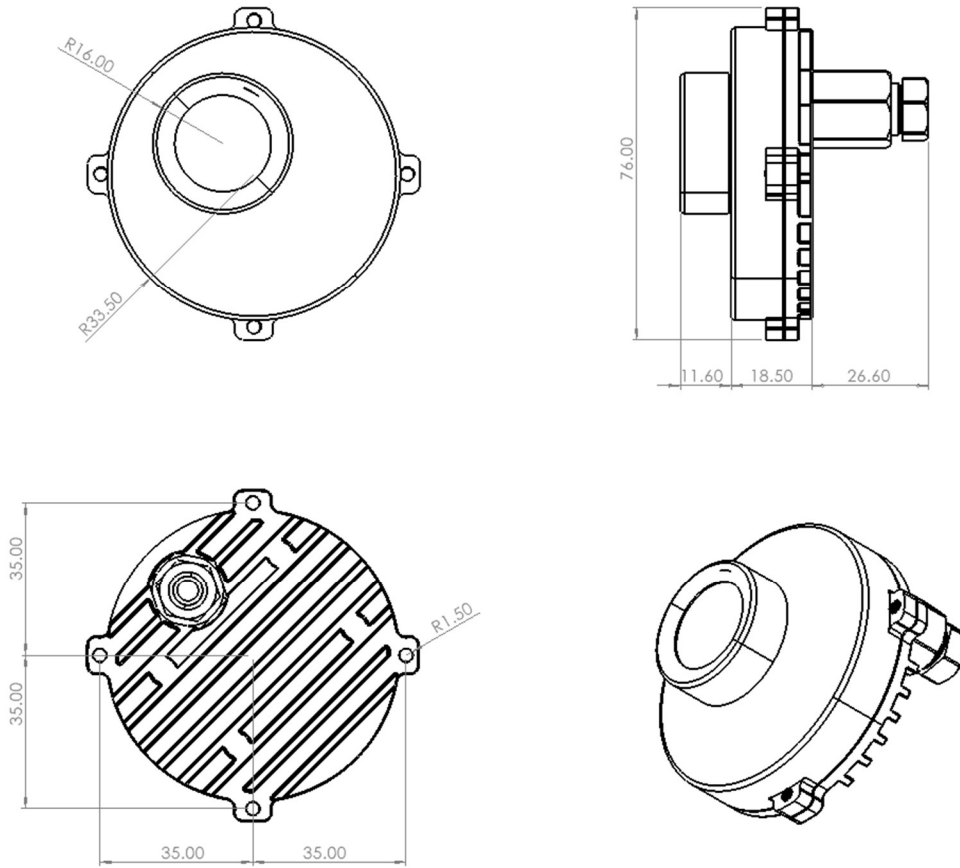
- Direct Visual Feature Output
- Computing Decoupling
- Rapid Integration and Deployment of ROV Vision Modules



Basic Specs

Depth Rating	300m
Weight in Air Water	0.3kg 0.15kg
Camera Model	OAK-1-W
Image Sensor	IMX378
Field of View (FOV)	120°D/95°H/70°V
Resolution	12MP (4032×3040)
Max Frame Rate	60 FPS
Focal Length	4.81mm
Aperture	2.8 ±5%
Focus Range	FF: 60cm - ∞
Lens Size	1/2.3 inch
Pixel Size	1.55µm x 1.55µm
Shutter Type	Rolling Shutter
Protocol	Ethernet
Power Supply	5 or 12VDC, approx. 2.5W~3W
Packing List	AI-M Underwater Camera *1, Standard 2m seawater-resistant cable (Length customizable up to 70m, contact customer service for longer distances)
Development	ROS / Python / C++

Main Dimensions

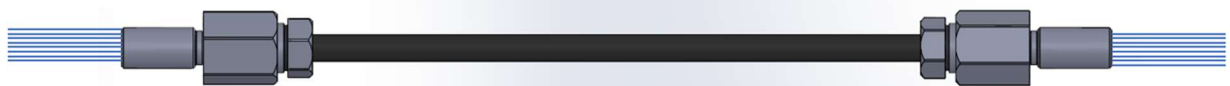


- Product specifications are subject to change without further notice. Please refer to our official website for latest information.

Wiring Instructions

Camera Pressure Housing

Main Control Housing



Camera Bulkhead Connector Wiring Diagram

Grey	/
Grey/ White	/
Blue	GND
Blue/White	+5VDC (Camera Power)
Green	DATA-
Green/White	DATA+
Orange	/
Orange/White	/